

# LM317

## 3-Terminal Positive Adjustable Regulator

### General Description

This monolithic integrated circuit is an adjustable 3-terminal positive voltage regulator designed to supply more than 1.5A of load current with an output voltage adjustable over a 1.2 to 37V. It employs internal current limiting, thermal shut-down and safe area compensation.

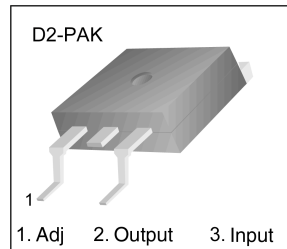
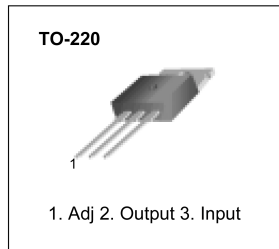
### Features

- Output Current In Excess of 1.5A
- Output Adjustable Between 1.2V and 37V
- Internal Thermal Overload Protection
- Internal Short Circuit Current Limiting
- Output Transistor Safe Operating Area Compensation
- TO-220 Package
- D2 PAK Package

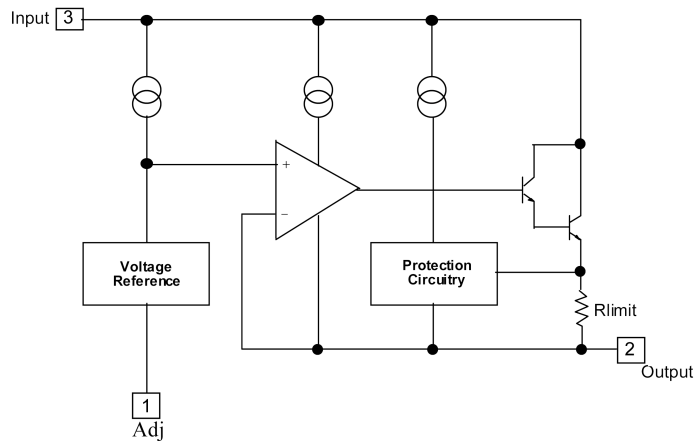
### Ordering Code:

Product Number	Package	Operating Temperature
LM317T	TO-220	0°C to +125°C
LM317D2TXM	D2 PAK	0°C to +125°C

### Connection Diagrams



### Internal Block Diagram



## Absolute Maximum Ratings

Parameter	Symbol	Value	Unit
Input-Output Voltage Differential	$V_I - V_O$	40	V
Lead Temperature	$T_{LEAD}$	230	°C
Power Dissipation	$P_D$	Internally limited	W
Operating Junction Temperature Range	$T_J$	0 ~ +125	°C
Storage Temperature Range	$T_{STG}$	-65 ~ +125	°C
Temperature Coefficient of Output Voltage	$\Delta V_O / \Delta T$	±0.02	% / °C

**Note 1:** Absolute Maximum Ratings: are those values beyond which the safety of the device cannot be guaranteed. The device should not be operated at these limits. The parametric values defined in the Electrical Characteristics tables are not guaranteed at the absolute maximum ratings. The "Recommended Operating Conditions" table will define the conditions for actual device operation.

## Electrical Characteristic

( $V_I - V_O = 5V$ ,  $I_O = 0.5A$ ,  $0^\circ C \leq T_J \leq +125^\circ C$ ,  $I_{MAX} = 1.5A$ ,  $P_{DMAX} = 20W$ , unless otherwise specified)

Parameter	Symbol	Conditions	Min	Typ	Max	Unit
Line Regulation (Note 2)	Rline	$T_A = +25^\circ C$ $3V \leq V_I - V_O \leq 40V$	—	0.01	0.04	% / V
		$3V \leq V_I - V_O \leq 40V$	—	0.02	0.07	% / V
Load Regulation (Note 2)	Rload	$T_A = +25^\circ C$ , $10mA \leq I_O \leq I_{MAX}$ $V_O < 5V$ $V_O \geq 5V$	—	18.0 0.4	25.0 0.5	mV% / $V_O$
		$10mA \leq I_O \leq I_{MAX}$ $V_O < 5V$ $V_O \geq 5V$	—	40.0 0.8	70.0 1.5	mV% / $V_O$
Adjustable Pin Current	$I_{ADJ}$	—	—	46.0	100	μA
Adjustable Pin Current Change	$\Delta I_{ADJ}$	$3V \leq V_I - V_O \leq 40V$ $10mA \leq I_O \leq I_{MAX}$ , $P_D \leq P_{MAX}$	—	2.0	5.0	μA
Reference Voltage	$V_{REF}$	$3V \leq V_{IN} - V_O \leq 40V$ $10mA \leq I_O \leq I_{MAX}$ $P_D \leq P_{MAX}$	1.20	1.25	1.30	V
Temperature Stability	$ST_T$	—	—	0.7	—	% / $V_O$
Minimum Load Current to Maintain Regulation	$I_{L(MIN)}$	$V_I - V_O = 40V$	—	3.5	12.0	mA
Maximum Output Current	$I_{O(MAX)}$	$V_I - V_O \leq 15V$ , $P_D \leq P_{MAX}$ $V_I - V_O \leq 40V$ , $P_D \leq P_{MAX}$ $T_A = 25^\circ C$	1.0	2.2 0.3	—	A
RMS Noise, % of $V_{OUT}$	eN	$T_A = +25^\circ C$ , $10Hz \leq f \leq 10KHz$	—	0.003	0.01	% / $V_O$
Ripple Rejection	RR	$V_O = 10V$ , $f = 120Hz$ without $C_{ADJ}$ $C_{ADJ} = 10\mu F$ (Note 3)	66.0	60.0 75.0	—	dB
Long-Term Stability, $T_J = T_{HIGH}$	ST	$T_A = +25^\circ C$ for end point measurements, 1000HR	—	0.3	1.0	%
Thermal Resistance Junction to Case	$R_{\theta JC}$	—	—	5.0	—	°C / W

**Note 2:** Load and line regulation are specified at constant junction temperature. Change in  $V_O$  due to heating effects must be taken into account separately. Pulse testing with low duty is used. ( $P_{MAX} = 20S$ )

**Note 3:** CADJ, when used, is connected between the adjustment pin and ground.

### Typical Performance Characteristics

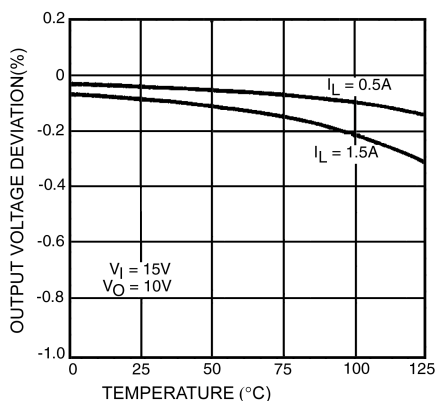


FIGURE 1. Load Regulation

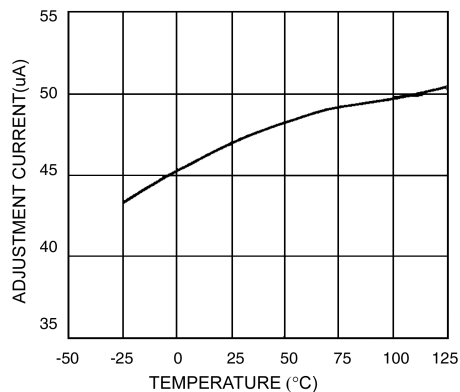


FIGURE 2. Adjustment Current

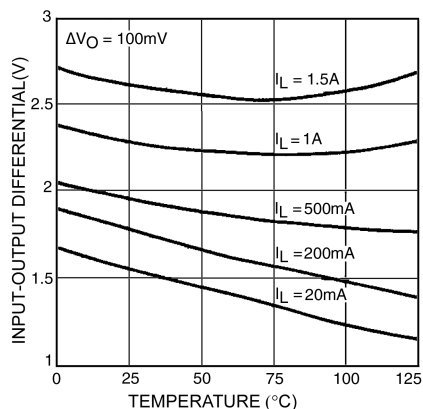


FIGURE 3. Dropout Voltage

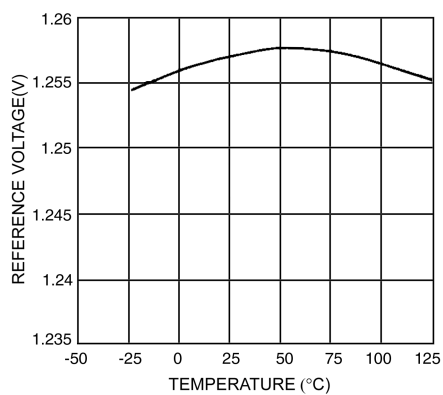
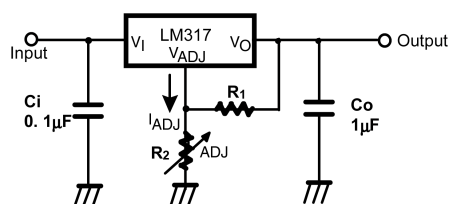


FIGURE 4. Reference Voltage

### Typical Application



$$V_O = 1.25V (1 + R_2 / R_1) + I_{ADJ} R_2$$

**Note:**  $C_i$  is required when regulator is located an appreciable distance from power supply filter.

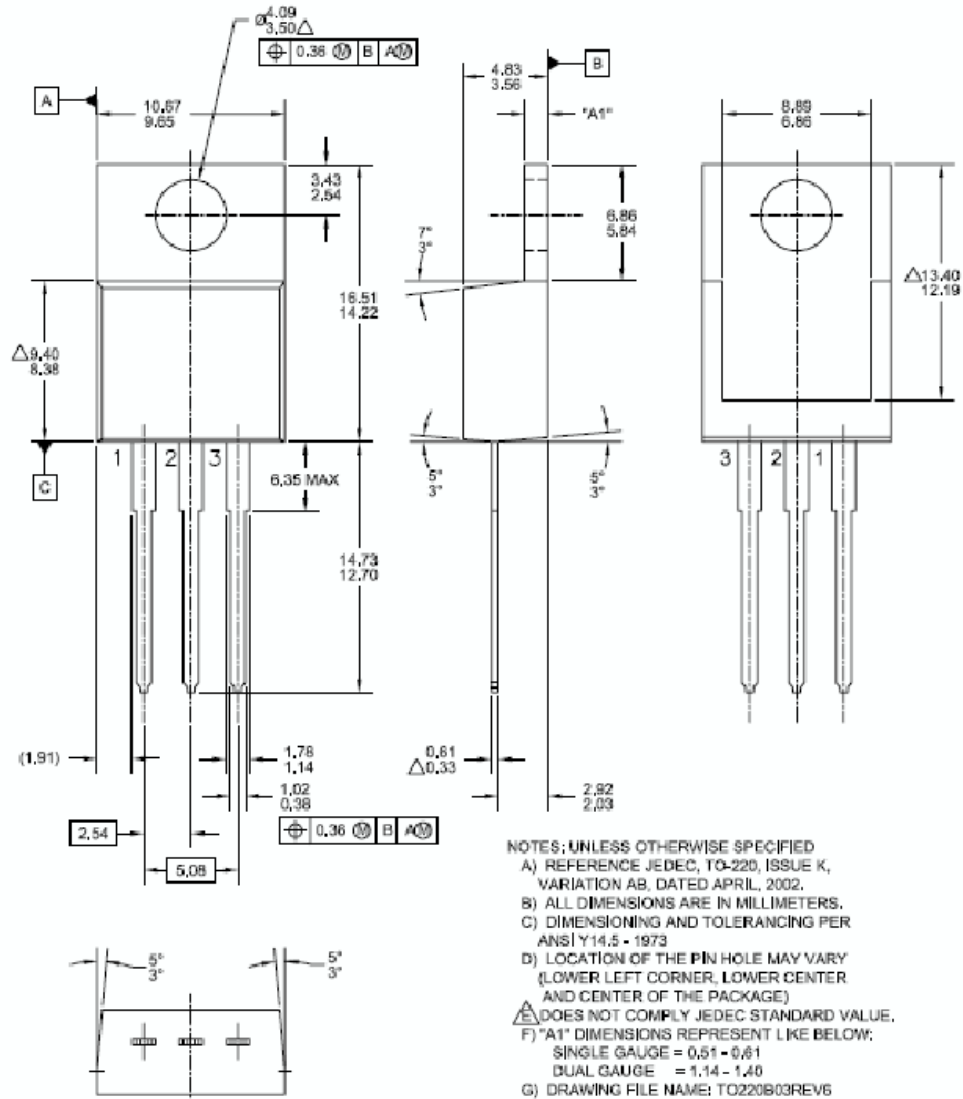
**Note:**  $C_o$  is not needed for stability, however, it does improve transient response.

**Note:** Since  $I_{ADJ}$  is controlled to less than 100uA, the error associated with this term is negligible in most applications.

FIGURE 5. Programmable Regulator

Physical Dimensions inches (millimeters) unless otherwise noted

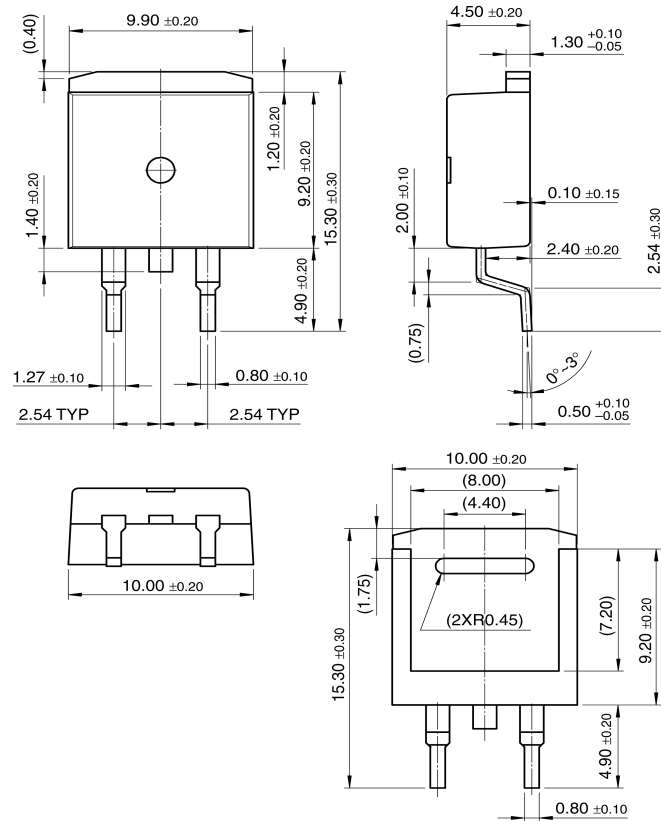
### TO-220



- NOTES: UNLESS OTHERWISE SPECIFIED
- A) REFERENCE JEDEC, TO-220, ISSUE K, VARIATION AB, DATED APRIL, 2002.
  - B) ALL DIMENSIONS ARE IN MILLIMETERS.
  - C) DIMENSIONING AND TOLERANCING PER ANSI Y14.5 - 1973
  - D) LOCATION OF THE PIN HOLE MAY VARY (LOWER LEFT CORNER, LOWER CENTER AND CENTER OF THE PACKAGE)
  - E) DOES NOT COMPLY JEDEC STANDARD VALUE.
  - F) \*A1" DIMENSIONS REPRESENT L LIKE BELOW:  
 SINGLE GAUGE = 0,51 - 0,61  
 DUAL GAUGE = 1,14 - 1,40
  - G) DRAWING FILE NAME: TO220B03REV6

**Physical Dimensions** inches (millimeters) unless otherwise noted (Continued)

## D<sup>2</sup>-PAK



Dimensions in Millimeters

Fairchild does not assume any responsibility for use of any circuitry described, no circuit patent licenses are implied and Fairchild reserves the right at any time without notice to change said circuitry and specifications.

**LIFE SUPPORT POLICY**

FAIRCHILD'S PRODUCTS ARE NOT AUTHORIZED FOR USE AS CRITICAL COMPONENTS IN LIFE SUPPORT DEVICES OR SYSTEMS WITHOUT THE EXPRESS WRITTEN APPROVAL OF THE PRESIDENT OF FAIRCHILD SEMICONDUCTOR CORPORATION. As used herein:

1. Life support devices or systems are devices or systems which, (a) are intended for surgical implant into the body, or (b) support or sustain life, and (c) whose failure to perform when properly used in accordance with instructions for use provided in the labeling, can be reasonably expected to result in a significant injury to the user.
2. A critical component in any component of a life support device or system whose failure to perform can be reasonably expected to cause the failure of the life support device or system, or to affect its safety or effectiveness.

[www.fairchildsemi.com](http://www.fairchildsemi.com)